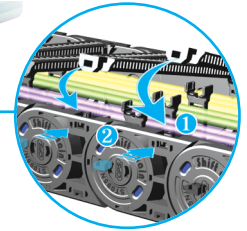
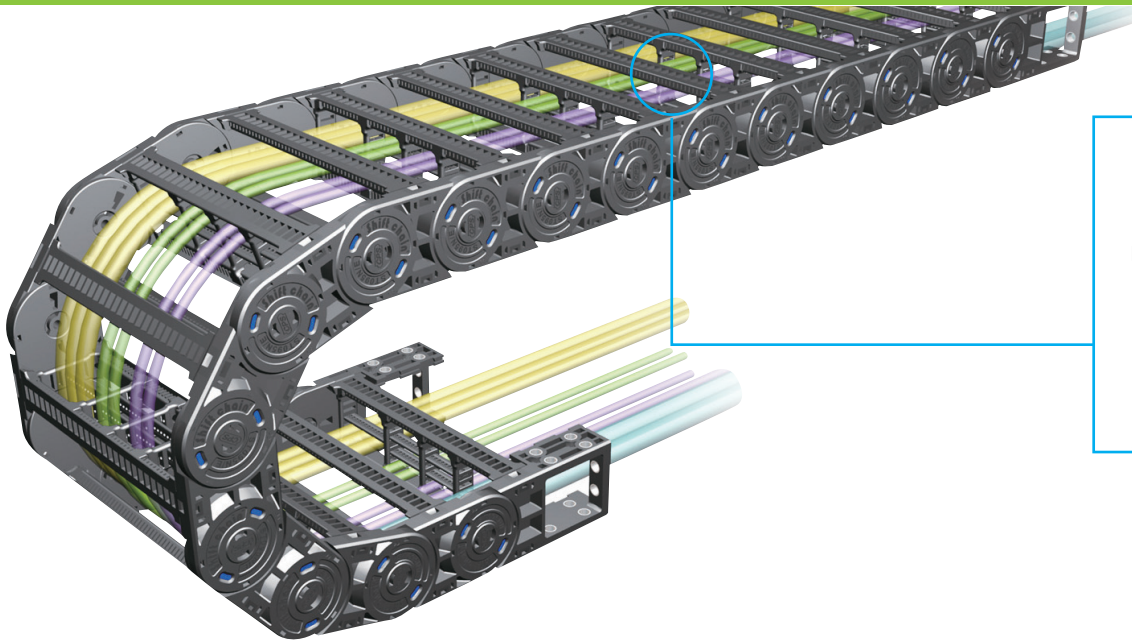
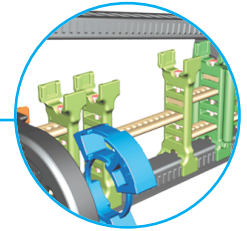


ST072N



Hinge Frame-Pin Lock Type



Section Composition

Calculation of the Chain Length

$$\left[L = \frac{L_s}{2} + L_p \right]$$

Other Length Restrictions

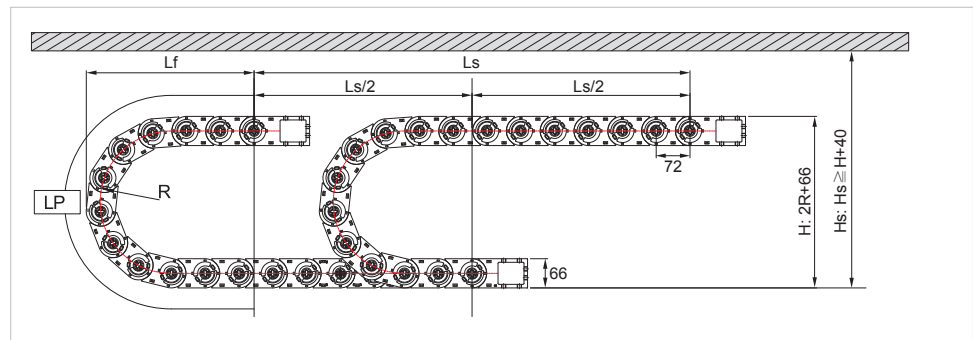
Vertical Standing(Max) = 6.0m

Vertical Hanging(Max) = 100m

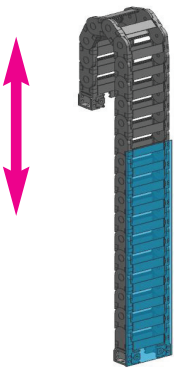
Side Mounted Unsupported(Max) = 2.5m

Layout of the Chain

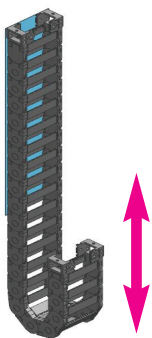
Ls: Stroke Hs: Safe Space



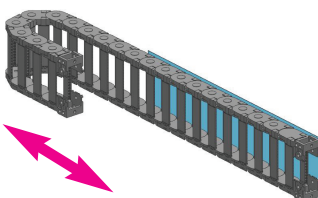
Bending Radius (R)	Lp Loop Length	Lf Loof Projection	H Moving Height
72	514	249	210
100	603	277	266
120	665	297	306
145	743	322	356
200	916	377	466
250	1,074	427	566
300	1,230	477	666



Vertical Standing

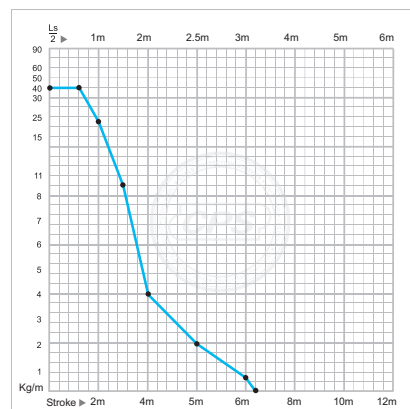


Vertical Hanging

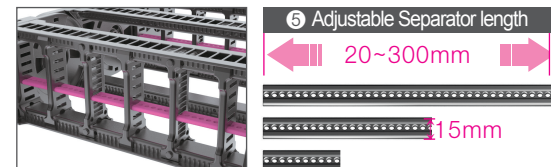


Side Mounted Unsupported

Unsupported Length

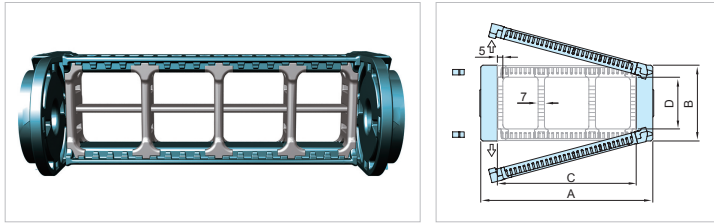


Separators(SP)



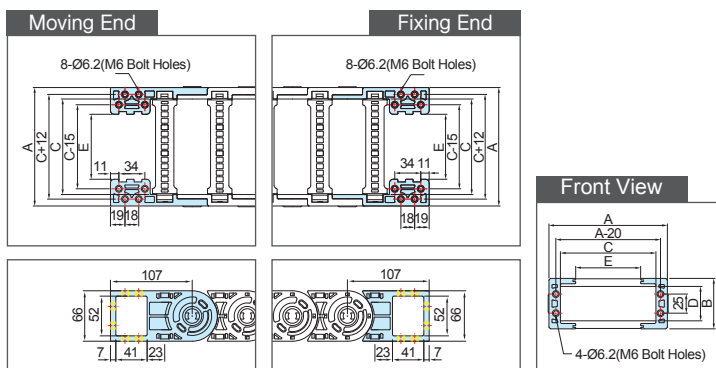
Chain Type	Ordering No.
ST072N	sb-SP/400,Frame

Chain Cross Section



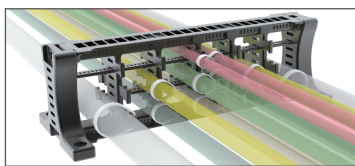
Chain Type	A Width (Outer)	B Height (Outer)	C Frame Width (Inner)	D Height (Inner)	Weight kg/m
ST072N	82	66	50	45	2.10
	107		75		2.20
	132		100		2.30
	157		125		2.43
	172		140		2.51
	182		150		2.56
	197		165		2.62
	207		175		2.66
	222		190		2.93
	232		200		3.11
	272		240		3.21
	282		250		3.24
	332		300		3.60

Free End Bracket (FEB)

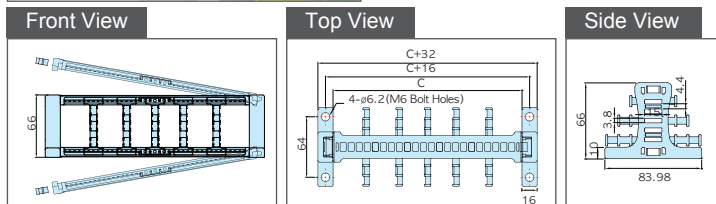


Chain Type	A Width (Outer)	B Height (Outer)	C Frame Width (Inner)	D Height (Inner)	E M,EB Bolt hole width	Hole Type
ST072N	82	66	50	45	10	M6 Bolt Holes
	107		75		35	
	132		100		60	
	157		125		85	
	172		140		100	
	182		150		110	
	197		165		125	
	207		175		135	
	222		190		150	
	232		200		160	
	272		240		200	
	282		250		210	
	332		300		260	

System Tie Wrap (STW)

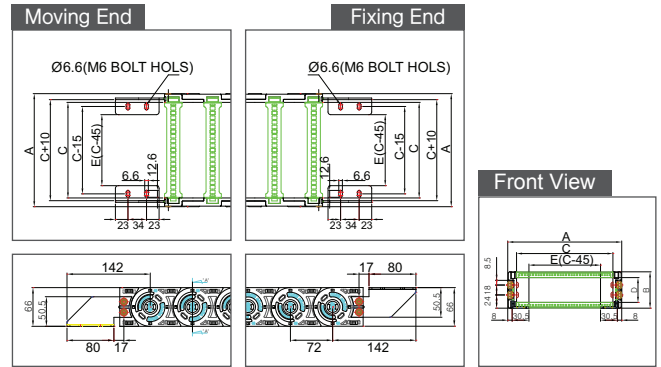


It is a unit to classify each cable for preventing entanglement of cables. It can either be installed to free end bracket or installed separately according to its application environment.

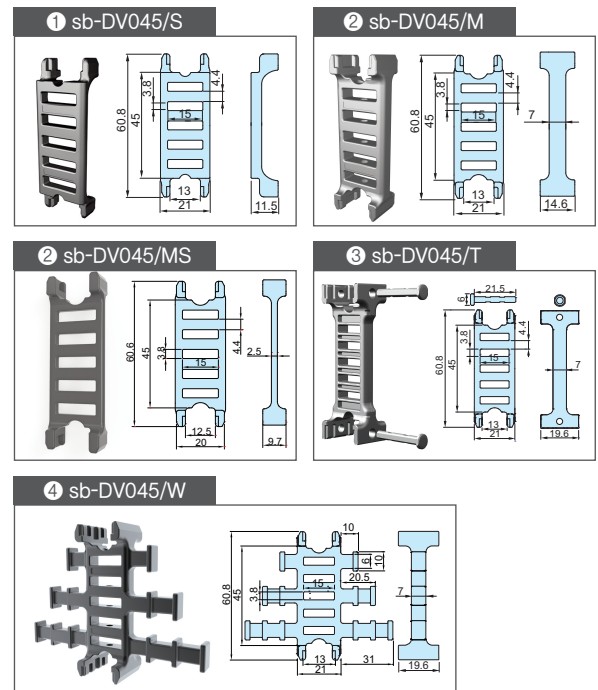
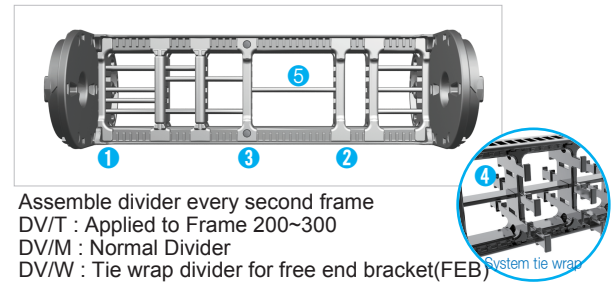


Chain Type	Ordering No.	C Frame	Hole Type
ST072N	S-TW,EB045,50	50	M6 Bolt Holes
	S-TW,EB045,75	75	
	S-TW,EB045,100	100	
	S-TW,EB045,125	125	
	S-TW,EB045,140	140	
	S-TW,EB045,150	150	
	S-TW,EB045,165	165	
	S-TW,EB045,175	175	
	S-TW,EB045,190	190	
	S-TW,EB045,200	200	
	S-TW,EB045,240	240	
	S-TW,EB045,250	250	
	S-TW,EB045,300	300	

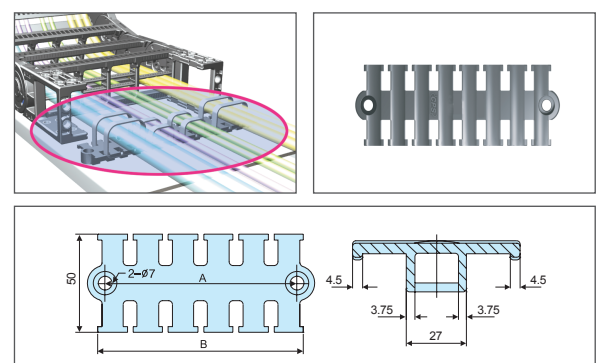
Steel End Bracket (SEB)



Dividers (DV)



Tie Wrap (TW)



Chain Type	Ordering No.	A	B
ST072N	S-TW50	58	65
	S-TW75	75	82
	S-TW100	98	105
	S-TW125	122	129
	S-TW150	141	148

※ Dimensions in mm